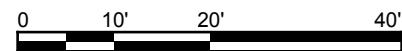


FOR CONTINUATION
REF. SHEETS 10-16

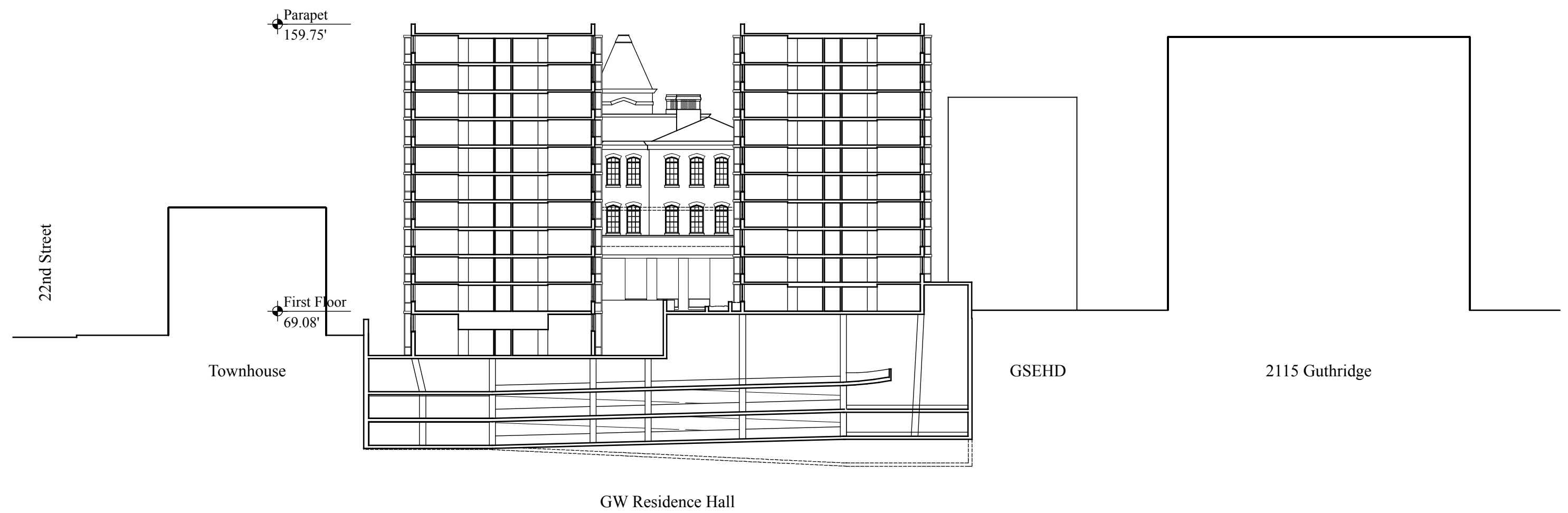
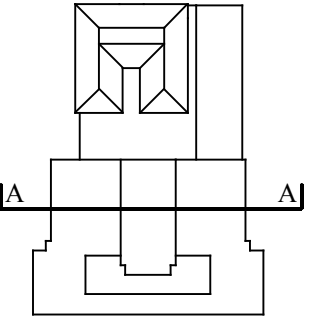
scale: 1" = 20'-0"



School Without Walls: Roof Plan

date: 04.03.06





scale: 1/32" = 1'-0"



Section AA

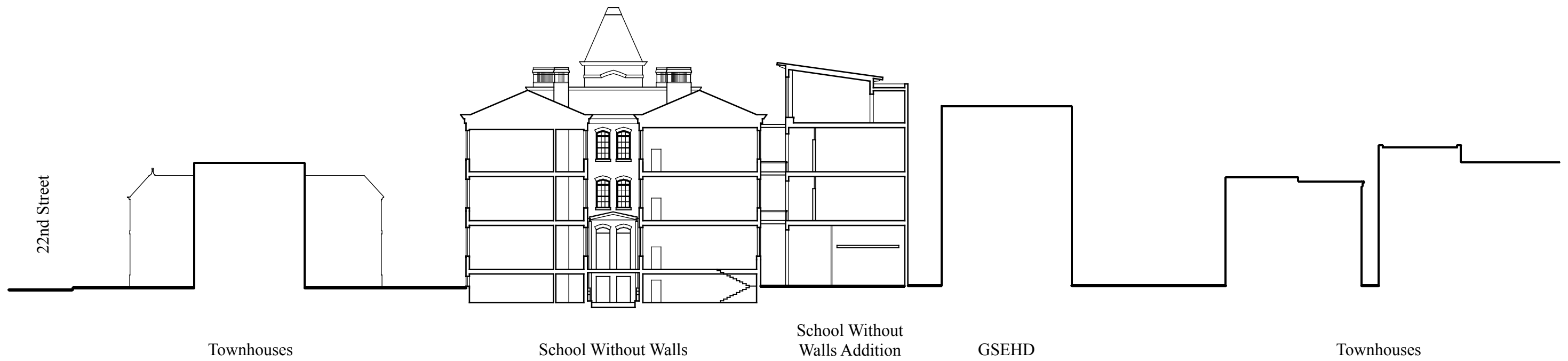
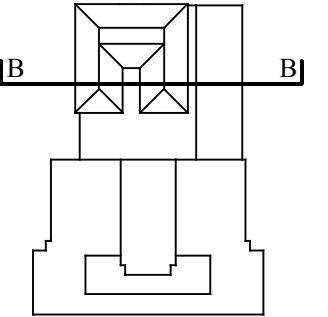
date: 04.03.06

E.25

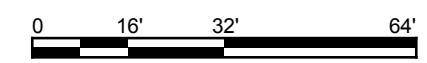


Square 80 PUD Submission





scale: 1/32" = 1'-0"



Section BB

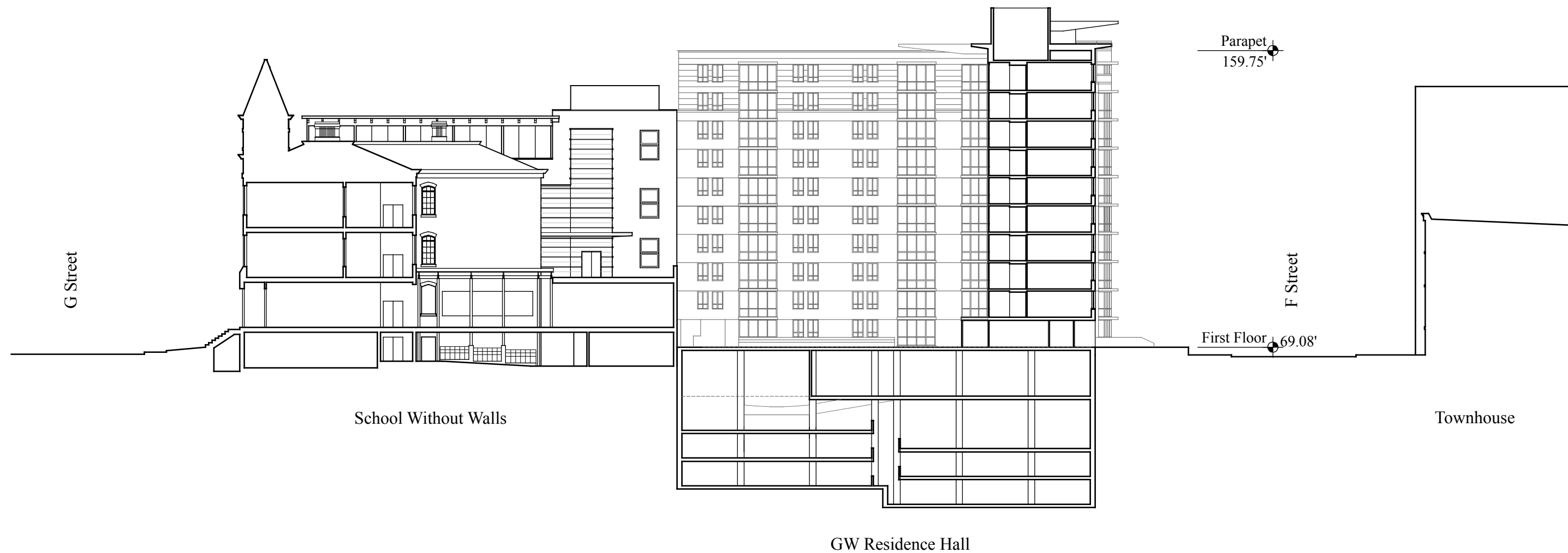
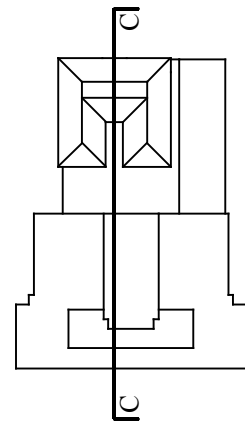
date: 04.03.06

E.26

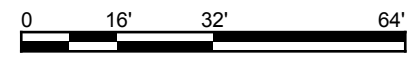


Square 80 PUD Submission





scale: 1/32" = 1'-0"



Section CC

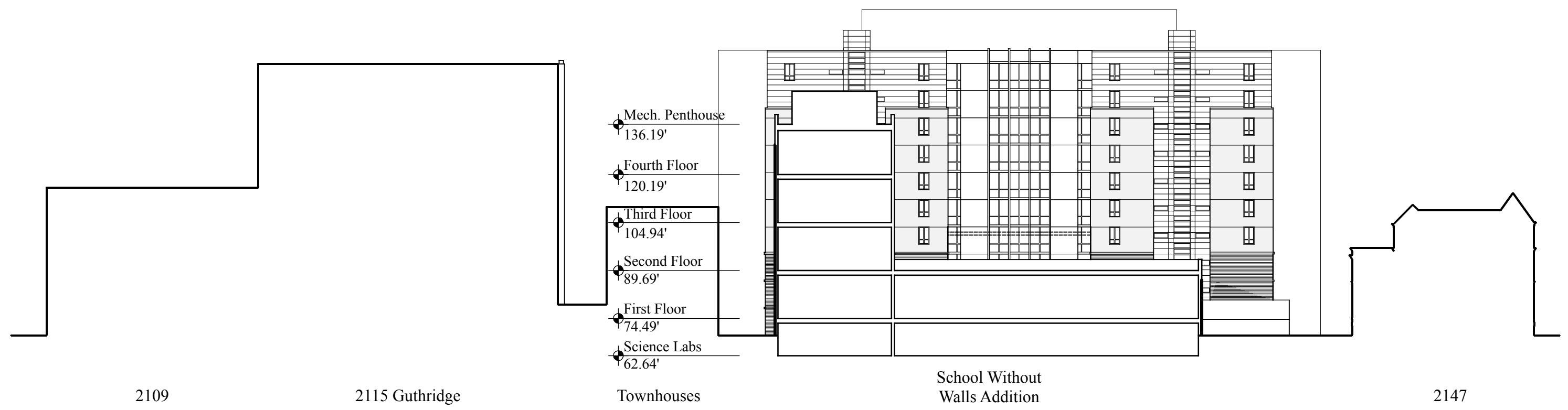
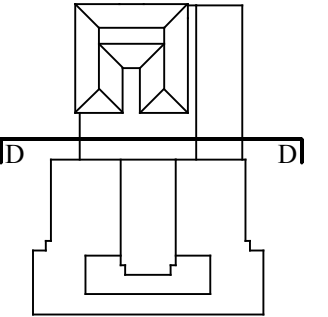
date: 04.03.06

E.27



Square 80 PUD Submission





scale: 1/32" = 1'-0"



Section DD

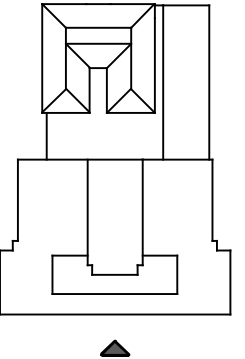
date: 04.03.06

E.28



Square 80 PUD Submission





22nd Street

2147

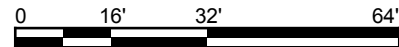
GW Residence Hall

Townhouses

2115 Guthridge

2109

scale: 1/32" = 1'-0"



F Street Elevation

date: 04.03.06

E.29



Square 80 PUD Submission

DMJM | CGS





scale:

F Street Elevation - Rendering

date: 04.03.06

E.30